

AMERICAN SOCIETY OF SANITARY ENGINEERING ILLINOIS CHICAGO CHAPTER SANITATION NEWS LETTER

President: Gary W. Howard
1st. V.P. Patrick Flader
2nd. V.P. Joseph Sowa
Treasurer: Michael Scherer
Secretary: VACANT



Recording Secretary: VACANT
Sergeant-At-Arms: VACANT
Ex-Officio: Denis Riordan

JANUARY 2023

PUBLISHED BY: GARY W. HOWARD

BOARD OF DIRECTORS

AMERICAN SOCIETY OF SANITARY ENGINEERING ILLINOIS CHAPTER

Brian Mazzocchi
Kevin Sherlock
Ray Ehrlich
James F. Coyne
Vince England

John Flader
Griff Gherke
Mike Ponx

Published in cooperation with the Board of Directors and Officers of ASSE Illinois Chapter, Editor: Gary W. Howard

Know what is approved in the Municipality you are working in

https://data.illinois.gov/dataset/536illinois_plumbing_code_ordinance_approvals

This list provides information on plumbing ordinances submitted to the Department for review by units of local government (first attachment titled "List of Municipal Plumbing Ordinances). Attached are copies of IDPH final review documents for units of local government (organized alphabetically). Any questions regarding the plumbing ordinance review process should be submitted to dph.plumbing@illinois.gov. Municipalities may request the ordinance submittal form and instructions by emailing the Department at the address provided above.

The Illinois Department of Public Health will not enforce any local amendments to the Illinois Plumbing Code (77 Ill. Adm. Code 890). Therefore, any questions regarding compliance with a local ordinance should be directed to the local authority. If available, the local authority's contact information has been included for convenience, but IDPH does not guarantee accuracy of the contact information provided. Units of local government can submit alternative contact information to the email provided above.

In the spirit of friendship and cooperation, the Illinois Chapter of the American Society of Sanitary Engineering (ASSE) and the Plumbing Contractors Association of Greater Chicago (PCA) are both proud to represent and serve the skilled and dedicated professionals in our industry. To make up for a few advertisements that were missed in recent issues due to an unintentional oversight, our ASSE Chapter is pleased to run this expanded version of the PCA's ad.



PCA of Greater Chicago

Advocacy and support you can count on.

The *Plumbing Contractors Association* (PCA) represents and serves UA Local 130 signatory plumbing contractors in Chicago and Northern Illinois (17 counties) with quality resources, education, advocacy, safety, networking, and much more – led by a dedicated volunteer contractor board and a full-time staff.

The PCA (and *Plumbing Council*) provides our members with an array of practical services and benefits, so contractors can focus on best serving their customers. Since 1882, the PCA has shown that “none of us is as strong as all of us.” As the only local plumbing contractors’ association affiliated with and active in the National and State PHCC; MCAA; IMSCA; CISCO; and UAC, the PCA is a united voice for our industry.

Contactors and consumers (for “Find a Plumber” referrals) may visit: www.pcaofchicago.com; phone 312-563-9526; or email: sj@pcaofchicago.com. PCA: 603 Rogers Street, Suite 2, Downers Grove IL 60515



Your Plumbing Connection



1-833-PLUM-911

Licensed
plumbing
professionals
serving all of
Chicagoland



Available
24/7

Licensed,
bonded
& insured

Ready to
answer
your call

Highly
trained

Plumbers911Chicago.com

S.K. Culver Co.
 2481 S. Wolf Road
 Des Plaines, IL 60018
 Telephone: 224-567-8425 Fax: 224-567-8702



Dawn Vitrano
Sales Manager/Customer Service

email: dawn@skculver.com
 web: www.skculver.com *In Business Since 1944*

Manufacturers' Representative - Consultant



R.C. Sales & Service, LLC
 2476 Wisconsin Avenue
 Downers Grove, IL 60515

Ronald Carter
 Michael Dore
 George Pagach

(877) 598-1233
TOLL FREE
 Fax (877) 598-1244
TOLL FREE

RCSALES@HOTWATER.COM



Advertise Here
 Let's get it done right the first time!!



Michael Ponx
 Commercial Sales Manager
 mponx@metropolitanind.com

Metropolitan Industries, Inc.

37 Forestwood Drive, Romeoville, Illinois 60446-1343
 Phone: (815) 886-9200 Ext: 265 • Outside Illinois: (800) 323-1665
 Fax: (815) 886-6932 • www.metropolitanind.com

ENGINEERING • MANUFACTURING • SERVICE • DISTRIBUTION



HART, TRAVERS & ASSOCIATES, INC.

325 EISENHOWER LANE NORTH LOMBARD, IL 60148
 TELEPHONE (630) 261-1166 FAX (630) 261-1818
 info@htareps.com www.htareps.com

Representing


Zoeller Pump Company	Blanco
Mansfield Plumbing Products	AK Industries
Sioux Chief	Magic Plastics
Lenox Tools	Plastic Trends
Irwin Tools	Ohio Electric Controls
Prier Products	Ideal Tridon



JASON HERBER

1207 Bitter Road, Suite 103
 Aurora, IL 60502
 Email: jherber@victaulic.com

Cell: 630/816-0777
 Fax: 630/585-7043
 Cust. Serv.: 800/742-5842



COLUMBIA PIPE & SUPPLY CO.
 SERVICE *Plus* SOLUTIONS

Daniel T. Arenberg
 Vice President Sales
 1120 W. Pershing Road
 Chicago, IL 60609
 773-843-5817
 darenberg@columbiapipe.com

PIPE • VALVES • FITTINGS • PLUMBING • HYDRONICS • HVAC

The PCA Greater Chicago represents and promotes UA Local 130 signatory plumbing contractor in Northern IL. (17 counties) with top quality service, education, advocacy, safety and peer to peers networking second to none. The PCA is the only local plumbing contractor association affiliated with the MCAA, PHCC, CISCO, & IMSCA. To find and hire one of our reputable contractors for 24 hr. emergency service or for residential, commercial municipal and industrial jobs, call 1800 76 valve or visit pcaofgreaterchicago.org or plumbing council.org **603 Roger St. Ste. 2 Downers Grovell 60515 312-503-9526**



A TRUSTED GLOBAL LEADER IN DIGITAL HOT WATER INNOVATION

Call Today! (800) 424-5392

The Armstrong Brain™ is the world's first digital recirculating valve!

- Engineered exclusively for recirculating hot-water systems
- Simplifies your hot water system by eliminating the need for compensating system components required with a mechanical thermostatic mixing valve
- Delivers temperature control within 2 degrees
- Communicates with most building automation systems
- Available with Programmable Temperature Alerts
- Also available with a Thermal Disinfection Program

Represented locally by

Armstrong
armstronginternational.com

AFFILIATED
STEAM & HOT WATER
affiliatedsteam.com

PJF
Plumbing & Heating Co.

Lic # 058-157611
CCCDI # XC2694

700 E. Park Avenue
Libertyville, Illinois 60048

Phone 224-338-0073
Cell 847-970-8774
Fax 847-201-8255

PATRICK J. FLADER
pat@PJFPlumbing.com

www.PJFPlumbing.com

Viiega system solutions

Multiple materials, many solutions
One provider

Meeting and exceeding industry standards with every installation

With three choices in sealing elements, Viiega systems can be used in gas, compressed air, potable water, flammable fluids or hydrolic applications. Viiega's press technology is available in multiple materials, and connections can be made in less than seven seconds, saving up to 60% on installation. Find peace of mind on the job with Viiega products that include the Smart Connect™ feature, allowing installers to easily identify unpressed connections during pressure testing.

For more information, call 800-976-9819 or visit www.vieiga.us

vieiga

HSA
Herkowski Stickler & Associates

Joe Herkowski
Herkowski Stickler & Associates

340 S. Lombard, Addison, IL 60101
Office 630.458.8816 | Mobile 414.573.4515 | Fax 630.458.9015
joeh@hsarep.com | www.hsarep.com

Advanced Placement

We do our homework when we design solid-surface sink systems. That's why they are a perfect choice for modern school washrooms.

Above-deck access for easy maintenance

Our sinks earn top marks at the best schools

SLOAN
www.sloanvalve.com

MID-CONTINENT

VINCE ENGLAND
PRESIDENT

(630) 327-1192
(630) 953-1211
vengland@MCMSL.COM
MCMSL.COM
1275 LAKESIDE DR
DODDINGTON, IL 60444

OUR LINES

REPCOASSOCIATES, INC.
Representing manufacturers of quality plumbing products for over 30 years

Brian A. Mazzocchi
CPMR, CSP

1775 W. Armitage Court • Addison, IL 60101
tel: 630.932.9900 • cell: 847.830.4425 • fax: 630.932.9911
email: brian@repcassociates.com



Plumbing Products

MANUFACTURERS REPRESENTATIVES

7050 N. LEHIGH AVE. CHICAGO, IL 60646
PHONE (773) 774-2800/FAX (773) 763-6534
E-mail: sales@bornquist.com
Website: www.bornquist.com



Condensing Gas Instantaneous Water Heaters, Indirect Steam and Boiler Water Domestic Water Heaters



Commercial and Residential Evacuated Tube & Flat Plate Solar Collectors, Controls, and Accessories



Sump Pumps, Sewage Ejectors, Grinder Pumps, and Packages



Variable Pressure Booster Systems, Hot Water Recirculation, Sump & Sewage Pumps, Double Wall Heat Exchangers, Balancing Valves, Expansion Tanks



Commercial and Light Commercial Gas Fired and Electric Tank Type Domestic Water Heaters, Electric Water Heaters



Pressure Reducing Valves, Pressure Blending Valves and Float Valves



Plate & Frame, Brazed Plate, Boiler Water and Steam Indirect Domestic Water Heaters and ASME Storage Tanks, Electric Water Heaters



Variable Speed Drives



Stainless Steel & Multi-Stage Pumps



Domestic Hot Water Thermostatic Mixing Valves



Flexible Hose Pump Connectors, Expansion Compensators, Wall Penetration Seals



Wall & Floor Mounted, Condensing Gas Water Heaters



Steam and Boiler Indirect Domestic Water Heaters and ASME Storage Tanks, Electric Water Heaters



Acid Drainline Systems & Acid Dilution Basins



Thermometers & Gauges



RK 34-975XLC
Repair Kit for 3/4"-1" 975XL

Kit Includes: (2) Check Poppet, 1st Check Spring, 2nd Check Spring, Relief Valve Spring, (2) Check Seat, (2) Check Seat O-Ring, Relief Valve Seat, Relief Valve Seat O-Ring, Lube

Ames: 7010046 – 2 1/2"-10" Total Relief Valve Kit for a C/M 400/C500



Kit Includes: Complete RV with 36" Hose, RV O-Ring and Lube



Ames 7010097 – First Check Assembly 2 1/2"-4" for Ames 2000/3000SS

Kit Includes: 1st Check Assembly, O-Ring and Lube

Ames 7010114 –Relief Valve Kit 2 1/2" -10" for 4000SS RP and 5000SS RPDA



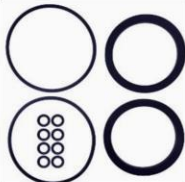
Kit Includes: Complete Relief Valve Assembly, Relief Valve O-Ring, Lube



Watts: 0794090 – Complete Total Rubber Kit 4" for 909 RP; *Lead Free* (Previously 0887751)

Kit Includes: Check Disc, Cover O-Ring, Sleeve O-Ring, Piston O-Ring, RV Disc Assembly, Diaphragm, Piston

RK 4-350
4" 350AST, 4" 375AST



Kit Includes: (2) Check Disc Rubber, (2) Cover O-Ring, (8) Bolt O-Ring, Lube



Apollo-Conbraco: 40-004-A1 – 3/4"-1" Major Repair Kit for 40-200 RP

Kit Includes: RV Bushing, RV Stem, Diaphragm Plate, (2) Poppet, RV Diaphragm, RV Seat Disc, (2) Check Seat Disc, Stem O-Ring, Bushing O-Ring, (2) Check Cap O-Ring, RV Spring, (2) Screw, (2) Retaining washer, (2) Check Seat, (2) O-Rings, RV Seat, RV O-Ring



Backflow Made Easy* @ SHOPBACKFLOW.COM/il

Test Gauge, Inc. has Backflow Parts in stock for Same Day Pickup or Next Day Delivery!



Shop Online at

www.Shopbackflow.com/il

Or call one of our Experts today

Toll Free: (866) 836-8692

Local: (847) 836-8692

salesgroup@testgauge.net



COLUMBIA PIPE & SUPPLY CO.
SERVICE *plus* SOLUTIONS

For four decades, Columbia Pipe & Supply Co. has partnered with Charlotte Pipe & Foundry Co. and TJ Higgins Co. providing the finest cast iron and plastic piping systems to the Illinois and Northwest Indiana markets

CHARLOTTE
PIPE AND FOUNDRY COMPANY



Columbia Pipe serves Plumbing Professionals with over 130,000 products, local availability, delivery to your location and many value added services.

Visit us at www.columbiapipe.com or any of our local branches in Chicago, Rockford, Rockdale, Decatur, East Peoria, Gurnee, Hanover Park or Hammond, Indiana.



COLUMBIAPIPE.COM

Residential Plumbing Code Questions
State of Illinois Plumbing Code

1. Who owns the Illinois Plumbing Code?
 - a. The Illinois Compiled Statute Department
 - b. The Illinois Department of Administrative Rule
 - c. The Joint Commission of Administrative Rule
 - d. The Illinois Department of Public Health Water Quality Plumbing Program

2. If you have a disagreement with the local code official. Can the State overrule the local code official's decisions?
 - a. Yes. the State Inspectors is a Certified Inspector for the State and can overrule the Local Inspector
 - b. No. The local code official is the Authority Having jurisdiction (AHJ). The State has no authority to overrule the AHJ.
 - c. Yes. The Local and State officials have an Inter-governmental Agreement That allows the State to overrule the local official.

3. When testing a rough in for a PVC DWV systems for leaks in a single family residence what is the suitable method to be in compliance with the Illinois Plumbing Code and Manufactures recommendations?
 - a. 15 psi of air pressure for 30 minutes
 - b. Smoke with 15 psi of air pressure for 15 minutes
 - c. A Hydrostatically water test for at least 15 minutes before the inspection with a 10 foot head pressure
 - d. A peppermint test

4. When Charlotte Schedule 40 PVC is buried what Standard should you follow?
 - a. ASTM F 1668
 - b. ASTM F 891-2010
 - c. ASTM F 1866-2007
 - d. ASTM D 2665-2012

5. Can you install your drain-tile either inside or outside against the footing? If yes give the code section. If no give the code section
 - a. Yes as long as it is not within the 45° plane of the footing
 - b. Yes because the drain-tile needs to be close to the footer to collect the storm water
 - c. No because the drain tile is not considered plumbing
 - d. No because the code tells you that you cannot install it that close to the footing

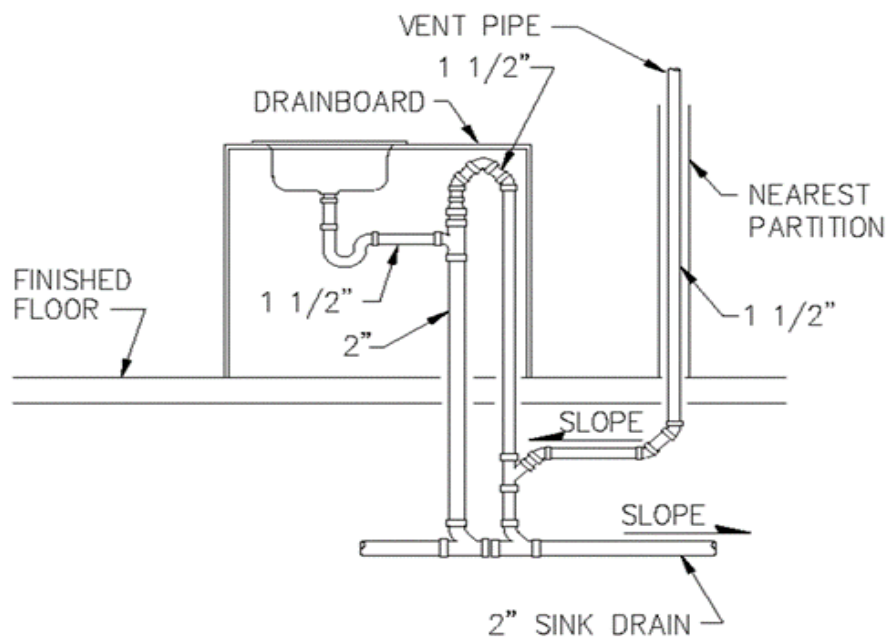
6. If you have a trap arm 4 feet in length, where shall you support the arm?
 - a. At each end of the arm
 - b. As close as possible to the trap
 - c. At the beginning of the arm
 - d. At the beginning and end of the arm

7. When installing a PVC DWV system and you are using the proper PVC J-hooks can you solvent weld the J-hook to the pipe to keep alignment?
 - a. Yes per manufactures specifications
 - b. Yes it will hold the pipe either level or plumb
 - c. No because the Primer and cement will weaken the J-hook
 - d. No because the expansion and contraction of the pipe will diminish

8. If you have 2" X 10 "floor Joist and you drill a 4" hole with the bottom of the hole at 3 inches above the bottom of the joist what may the building inspector required you to do?
 - a. Nothing
 - b. Reinforce the joist with the proper material

9. Can you use a side outlet drain to the P-trap on the installation a bathtub drain and overflow? If yes give the code section. If no give the code section
- Yes the manufactures states that it may be used in place of a conventional drain and overflow
 - Yes. It may be used in existing building only
 - Yes. It may be used when remodeling only
 - No. The waste shall be directly below tub overflow

10. On the following drawing please indicate where you need cleanouts and why?



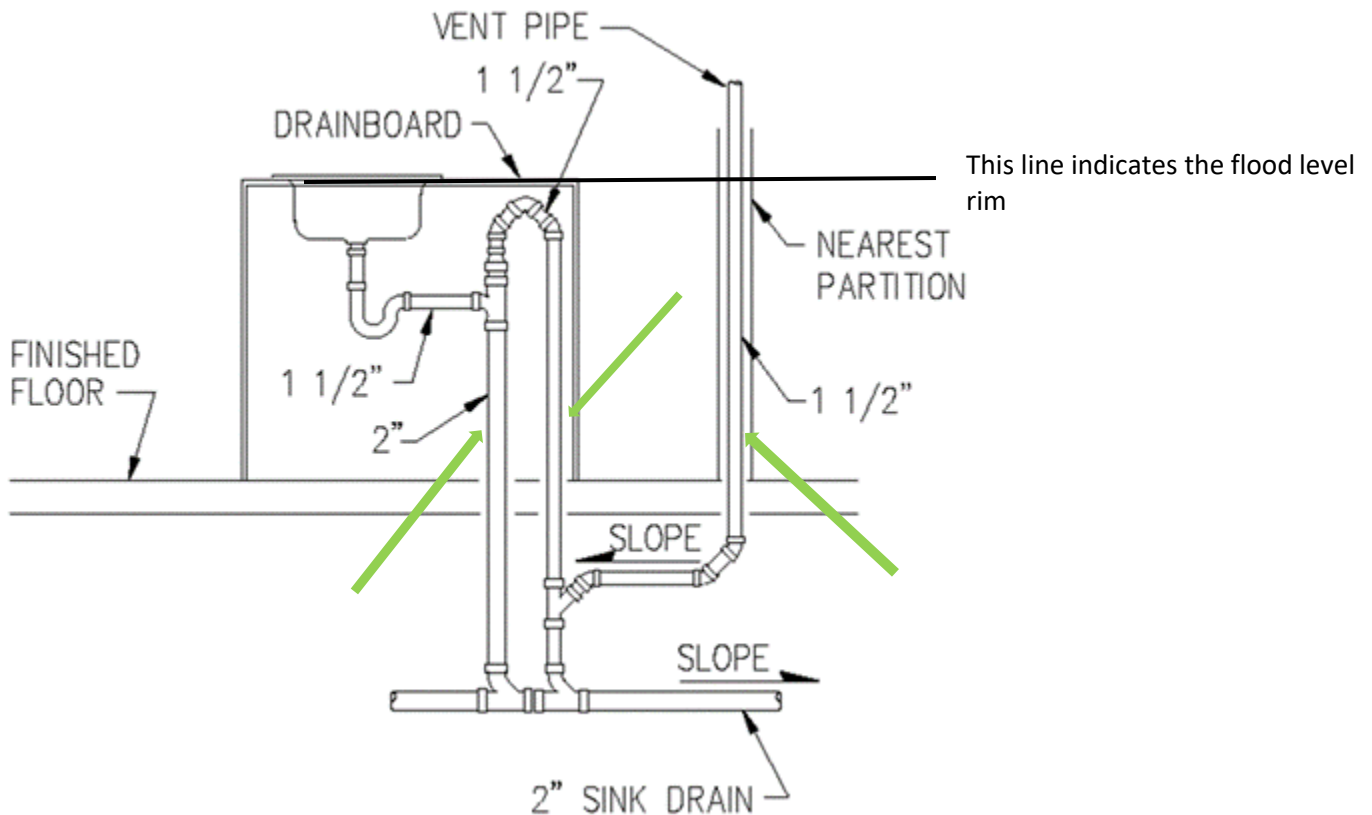
ANSWERS

1. D 2. B 3. C 4. A manufactures Recommendations 5. D 890.180 e
6. B 890. 930 f 7. D. 890.910 a 8. B 9. D 890.410 g 3

10.

The arrows below indicate where cleanouts should be. Why? Because all three of these are considered drains. And you cannot use the p-trap for a clean out per 890.430. There is more than one 90°.

In Addition to: 890.420 i) Cleanouts shall be of the same size as the pipe they serve up to a maximum of 6 inches, and at least 6 inches for larger pipe. The pipe being served is 2" and 1 1/2". The 2" and the 1 1/2" clean outs under the sink shall be a two way clean out



Proper installation of a vacuum relief valve is code compliant.
Where is this in the State of Illinois Code book?
890.1230 f.

Vacuum Relief Valve. If a hot water storage tank or water heater is located at an elevation above the fixture outlets in the hot water system, or if the storage tank or water heater is bottom fed, a vacuum relief valve as listed in Appendix A. Table A (Approved Standards for Plumbing Appliances/Appurtenances/Devices) shall be installed on the storage tank or heater.

The heater is mounted on the wall above the fixtures and is bottom feed

